

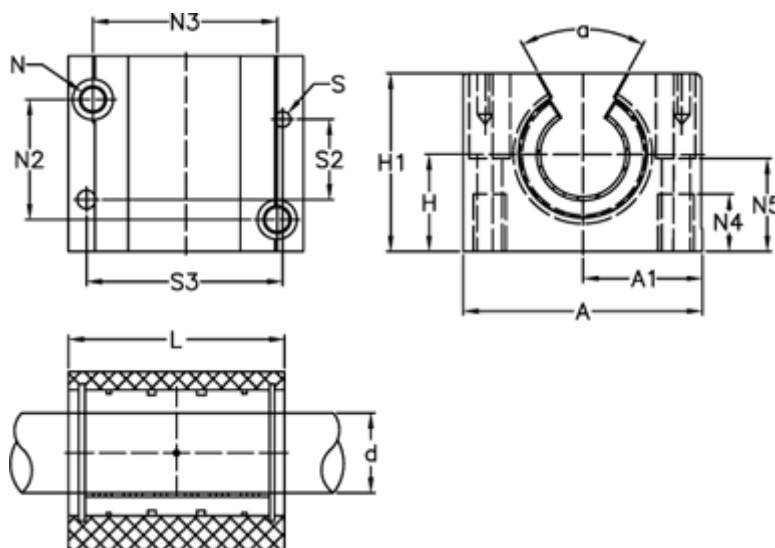
Data Sheet



Article number: 50310252

Description: Open pillow block PMN 25 E
FM standard bearing included

Measures



A = 78	N3 = 60.00
a = 60 degrees	N4 = 22
A1 = 39.0	N5 = 29.0
H = 30	S = 6
H1 = 51	S2 = 20
L = 67	S3 = 64
N = M10 x 1,5	Static load (kg) = 1523
N2 = 40.00	Weight (kg) = 1.000